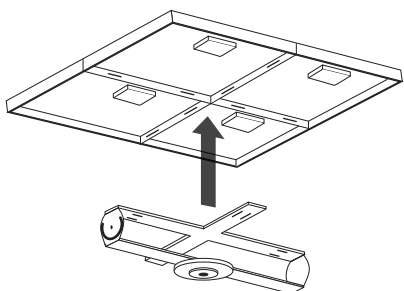
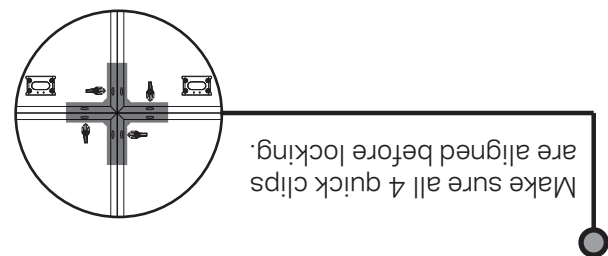


(For a 2 panel setup see helpful hints on next page)

1 Place panels face down in a 2x2 square and lock panels together. Insert quick clips

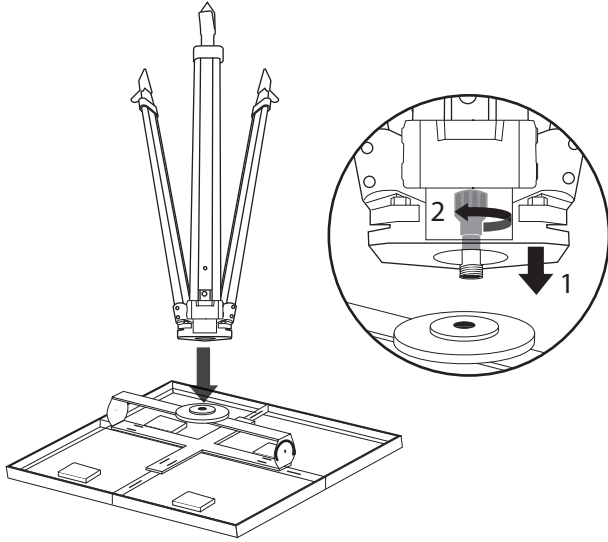


2 Place mounting bracket in center and align quick clip holes.

SOLAR TRIPOD
PORTABLE MOUNTING SYSTEM

Instruction Manual

3 Align top of tripod hole with base of bracket. Tightly screw tripod on the bracket base.

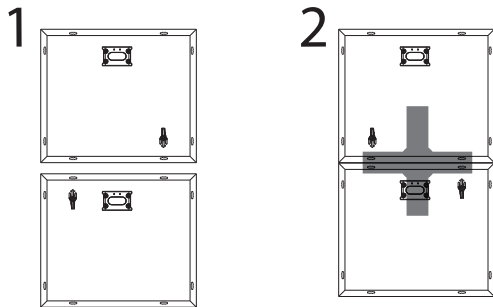


4 Place adjustment strap around legs. Lift full system while separating legs.



TWO PANEL SETUP

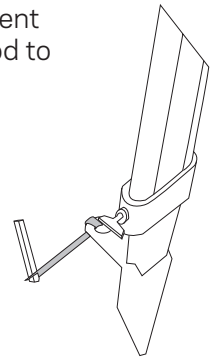
Insert quick clips and lock panels together. Place mounting bracket in center and align quick clip holes.



Follow steps 3 and 4 next.

HELPFUL TIP

For more secure placement use holes at feet of tripod to tie or stake down.



HELPFUL TIP

Change height of tripod using adjustment knobs at base of upper legs.

